



PHD 25

(XE)

Portable CD Stereo Radio Cassette Recorder



Specifications

PRODUCT CODE No.
142 878 54

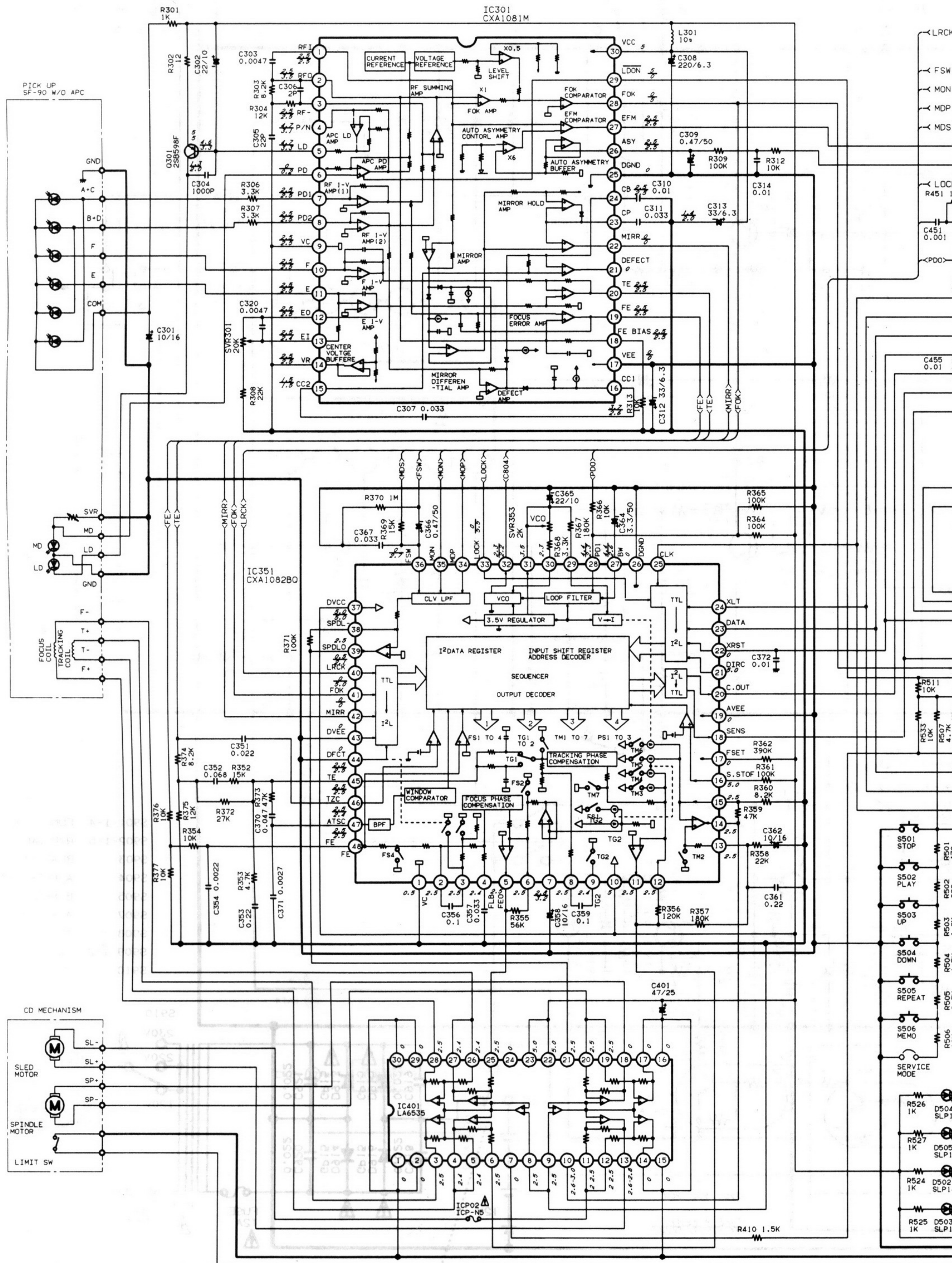
Recording system	AC bias, 4-track stereo
Erasing system	Magnet erase,
Tape speed	4.75 cm/sec.
Rewind and fast forward time	110 sec. (C-60)
Frequency range	MW : 526.5-1,606.5 kHz FM : 87.5 - 108 MHz SW : 5.95 - 18 MHz LW : 148.5 - 283.5 KHz
Antennas	Built-in ferrite bar and telescopic rod antennas
CD SECTION	
Channels	2 channels
S/N ratio	70dB
Sampling frequency ...	44.1KHz
Quantization	16 bits linear/ch
Pick-up light source ...	semiconductor laser
Pick;up wave length ..	790nm

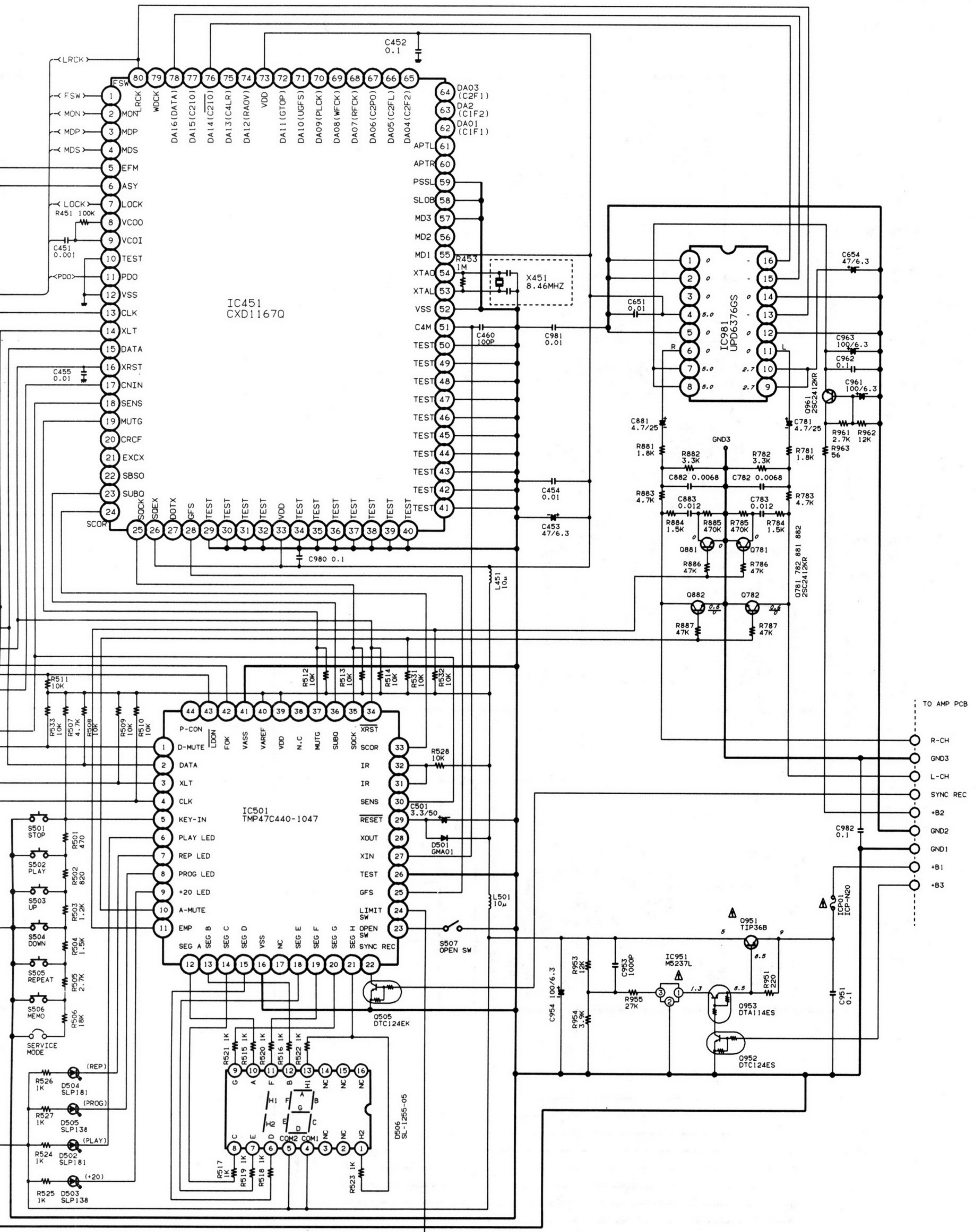
Terminal impedance	PHONES : 32 ohms
Frequency response	80 - 12,000 Hz
Output power	11 W (P.M.P.O.)
Speaker	12 cm x 2,4 ohms
Power source	AC : 120/220/230V, 50Hz DC : 12V, "SUM-1" x 8
Dimensions (approx.)	623 x 205 x 172 mm (W x D x H)
Weight(approx.)	4.8 kg including batteries

Specification subject to change without notice.

REFERENCE No. **SM580057**

SCHEMATIC DIAGRAM (CD)

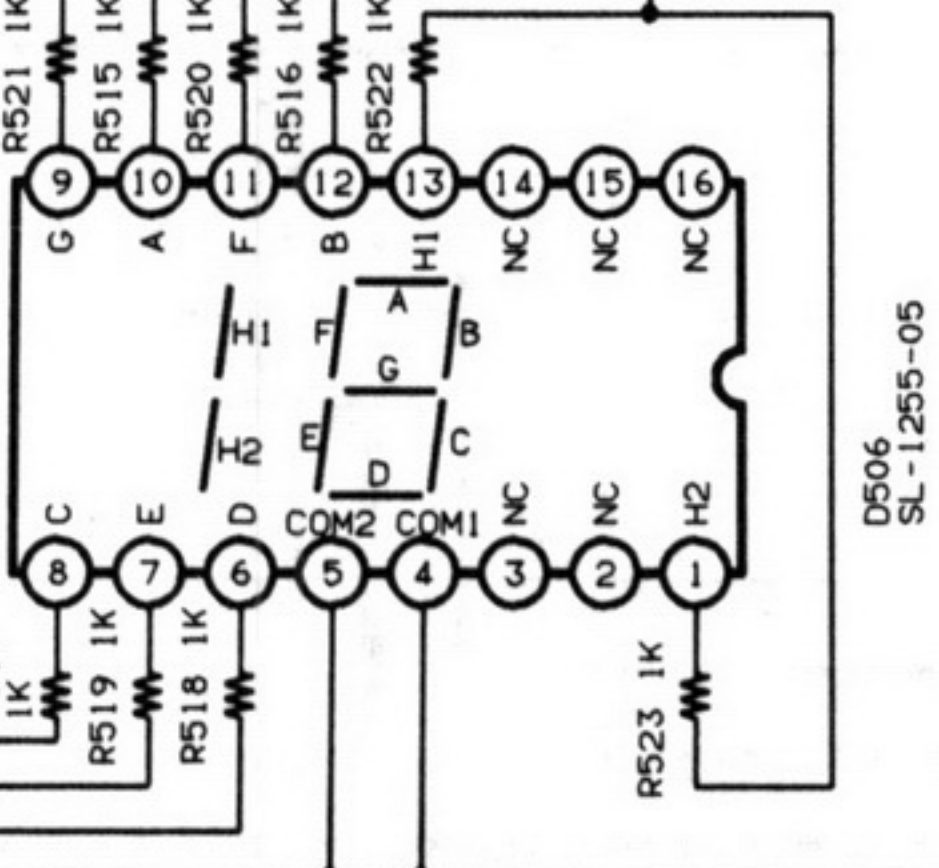




IC451
CXD11670

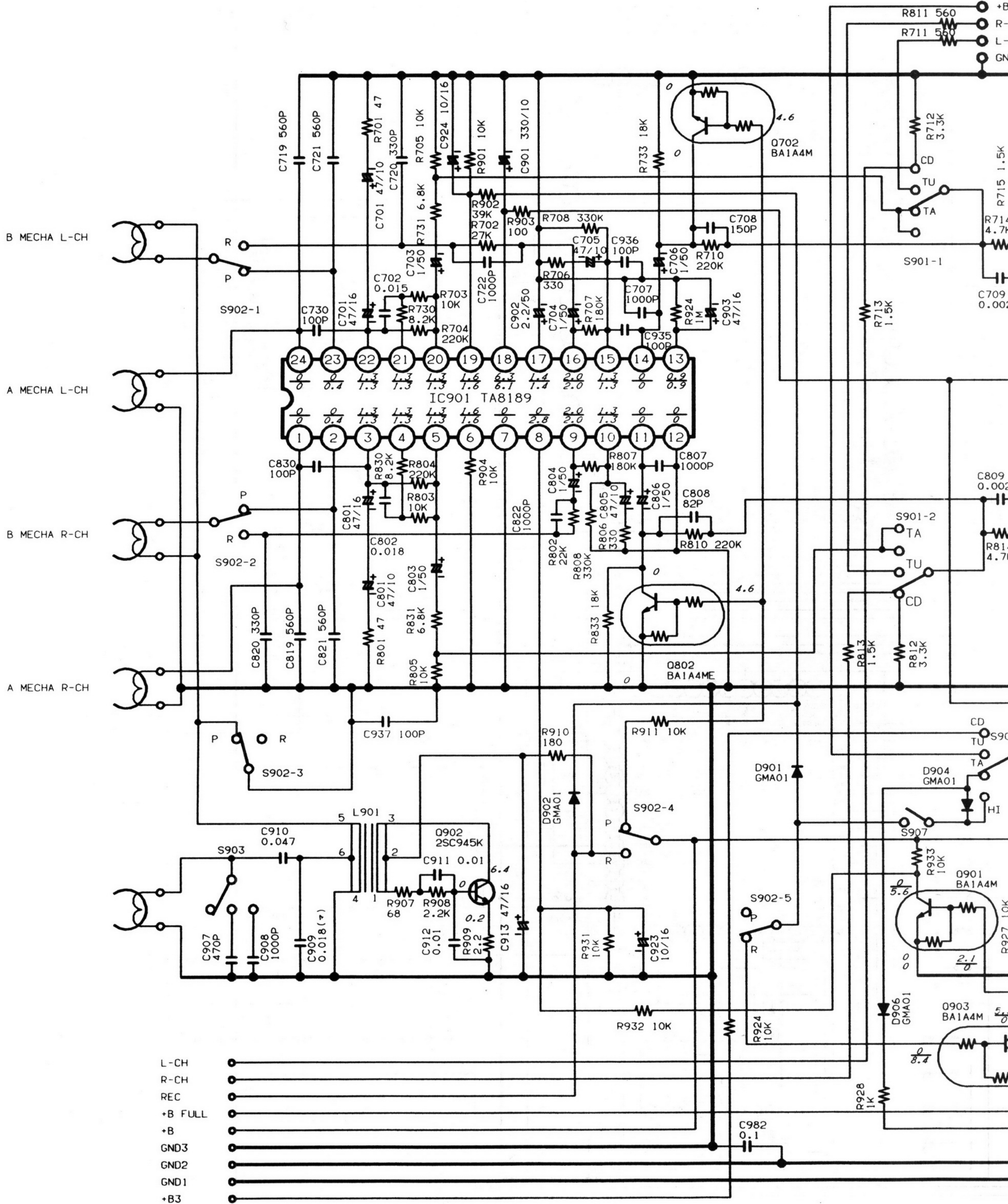
IC501
TMP47C440-1047

IC951
M5237L

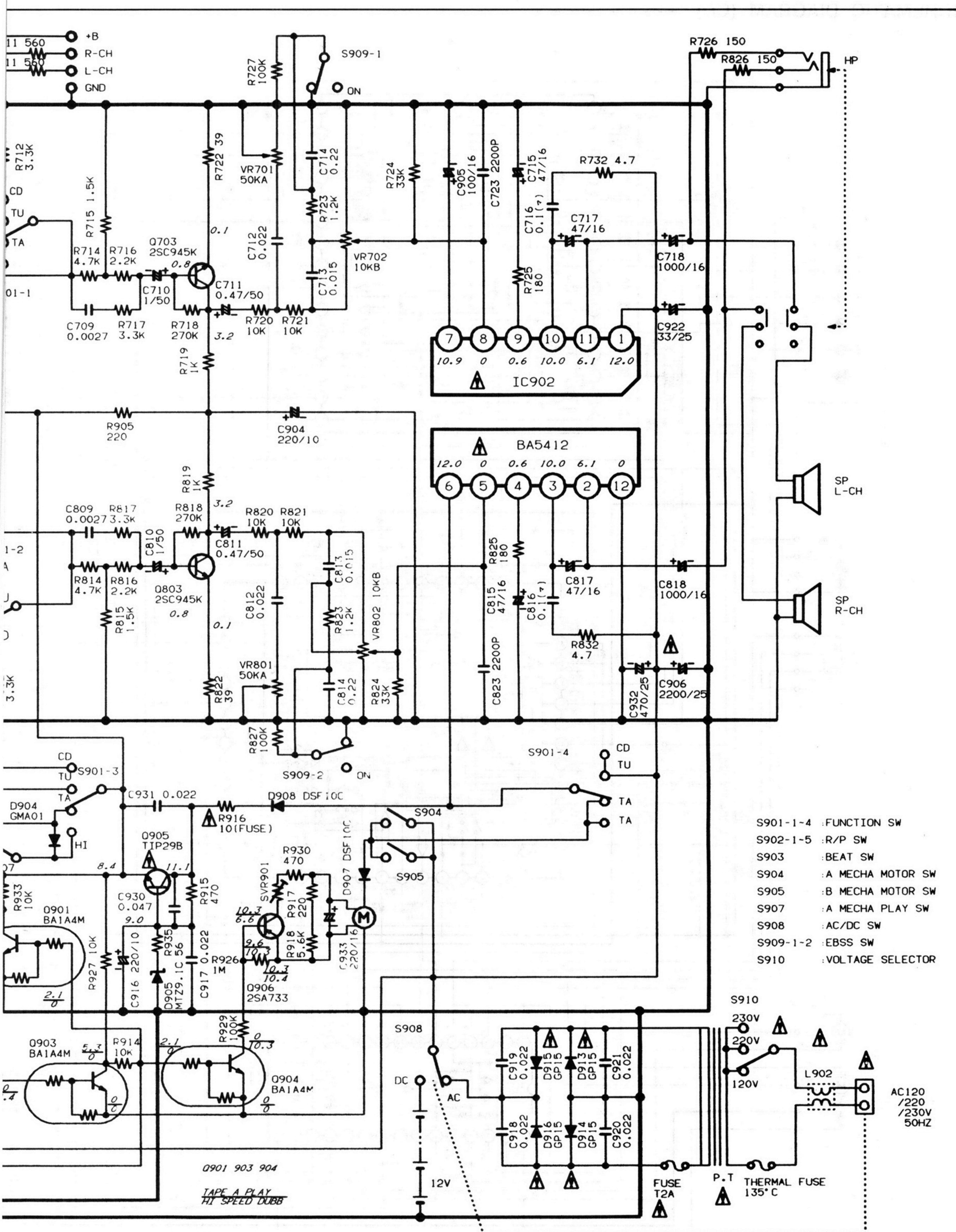


- TO AMP PCB
- R-CH
- GND3
- L-CH
- SYNC REC
- +B2
- GND2
- GND1
- +B1
- +B3

SCHEMATIC DIAGRAM (AMP)



- L-CH
- R-CH
- REC
- +B FULL
- +B
- GND3
- GND2
- GND1
- +B3



- S901-1-4 : FUNCTION SW
- S902-1-5 : R/P SW
- S903 : BEAT SW
- S904 : A MECHA MOTOR SW
- S905 : B MECHA MOTOR SW
- S907 : A MECHA PLAY SW
- S908 : AC/DC SW
- S909-1-2 : EBSS SW
- S910 : VOLTAGE SELECTOR

Q901 903 904
 TAPE A PLAY
 HI SPEED DUBB

AC120
 /220
 /230V
 50HZ

FUSE
 T2A
 P.T
 THERMAL FUSE
 135° C